

//// Passat WP 81 L & 101 L Basic

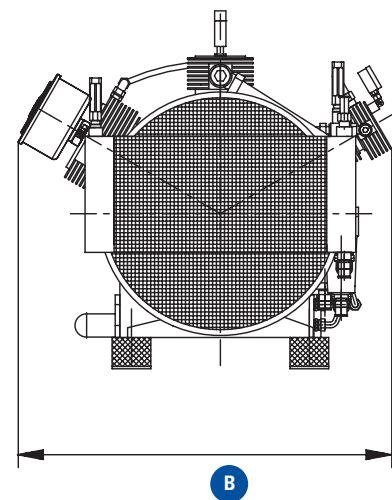
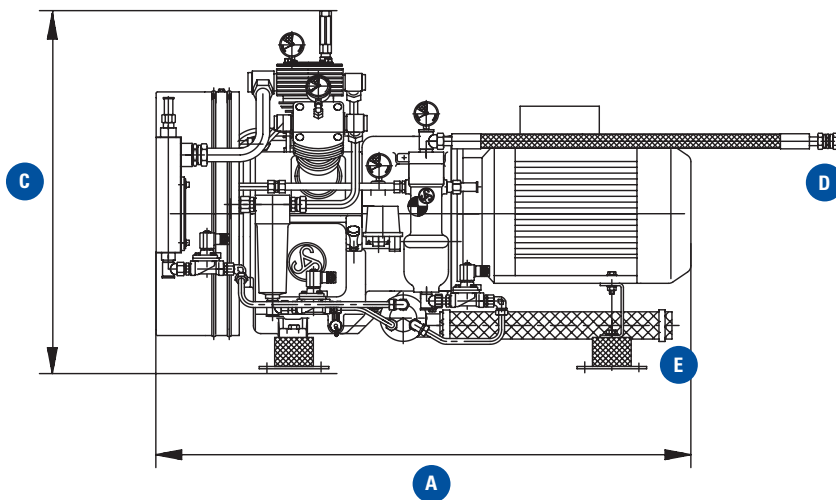
3-stage, air-cooled, direct drive

Medium: Air



- Balanced running due to W-Design of crank drive
- Oil pump driven by gear box
- Condensate drain after each stage
- Complete compressor check at final pressure including 3.1 inspection certificate
- Long operating life with guaranteed availability (minimum 25 years) of replacement parts ex stock
- Trouble-free operation, even under the most extreme conditions (55°C ambient temperature)

- Sauer offers the very latest compressors, control systems, compressed-air treatment systems and accessories
- Optimum customer services – starting with the initial enquiry and extending over the entire life of the product
- Customized solutions produced in accordance with customers' specifications
- Customer-specific documentation and calculation
- Individual, customer-oriented service plans

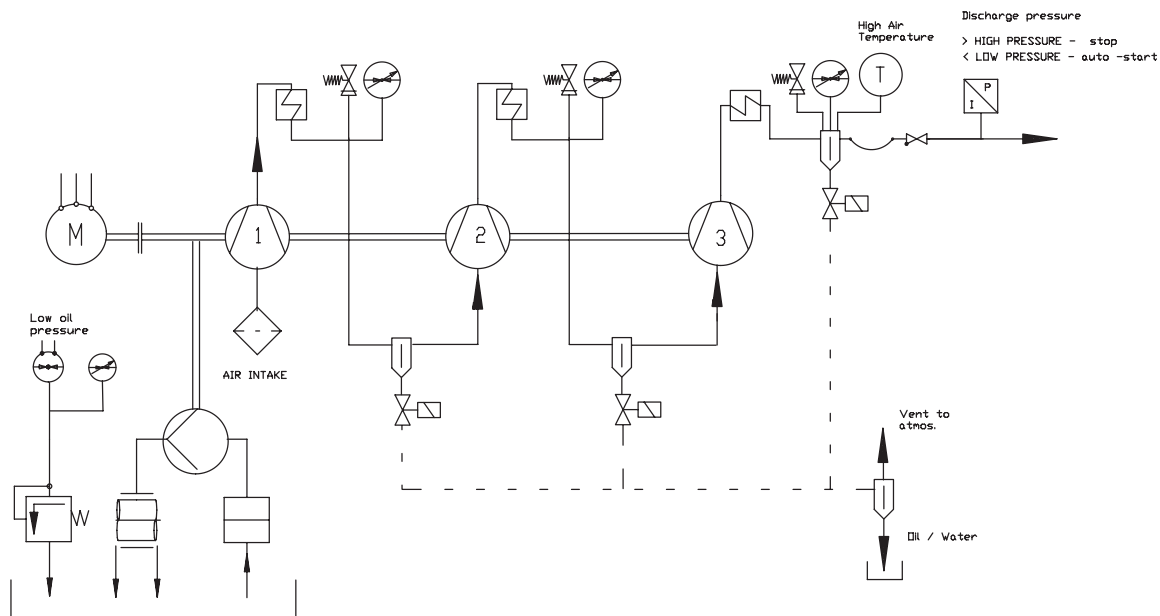

PASSAT

	Dimensions (mm)			Outlet Connection	Drainage Connection	Weight (kg)
	A	B	C	D	E	
WP 81 L Basic	1,345	945	900	22 x 1.5 bite-type	60 mm Ø	440
WP 101 L Basic	1,345	965	900	22 x 1.5 bite-type	60 mm Ø	440

PERFORMANCE DATA							
MODEL	Speed [rpm]	10 bar (g) [m³/h]	20 bar (g) [m³/h]	30 bar (g) [m³/h]	40 bar (g) [m³/h]	Rated Power [kW]	Sound Pressure dB(A)@1m
WP 81 L Basic	1,500	81.9	79.2	76.5	76.4	18.5	87
	1,800	97.4	94.2	91.0	88.9	21.5	90
WP 101 L Basic	1,500	100.2	96.9	93.6	93.4	22.0	87
	1,800	120.9	117.0	113.0	111.0	26.0	90

[m³/h] acc. to ISO 1217 ref 1,013 bar.a and 20 °C; [dB(A)] acc. to DIN 45635

STANDARD ACCESSORIES		
	WP 81 L Basic	WP 101 L Basic
Air pressure gauge @ each stage	✓	✓
Oil/water (condensate) separator @ each stage	✓	✓
Oil pressure 'low' alarm/trip & gauge	✓	✓
Air temperature 'high' alarm/trip	✓	✓
Safety valve @ each stage	✓	✓
Auto-Unload/drain system	✓	✓
Auto Start/Stop via pressure switch/sensor (loose)	✓	✓
Electric Motor IE 3 (IP55 protection + Class F 'B' temp. rise)	✓	✓
Power supply 380–415V/50 Hz/3ph or 440–480V/60 Hz/3ph	✓	✓
Terminal Connection Box, pre-wired	✓	✓
Flex. HP-hose for air outlet (inc. non-return valve)	✓	✓
Flex. Hose(s) for oil/water (condensate) drainage	✓	✓
Resilient AV mounts (installation)	✓	✓
Color Munsell 7.5 BG 7/2 – Sauer light green-blue	✓	✓
First Oil fill	✓	✓



Dependable up to 500 bar – anywhere, anytime.

J.P. Sauer & Sohn Maschinenbau GmbH

PHONE + 49 431 3940-0

E-MAIL info@sauercompressors.de

FAX + 49 431 3940-24

WEB www.sauercompressors.com

01/2016 [suw] • Specifications subject to change without notice.

