



Technical Data

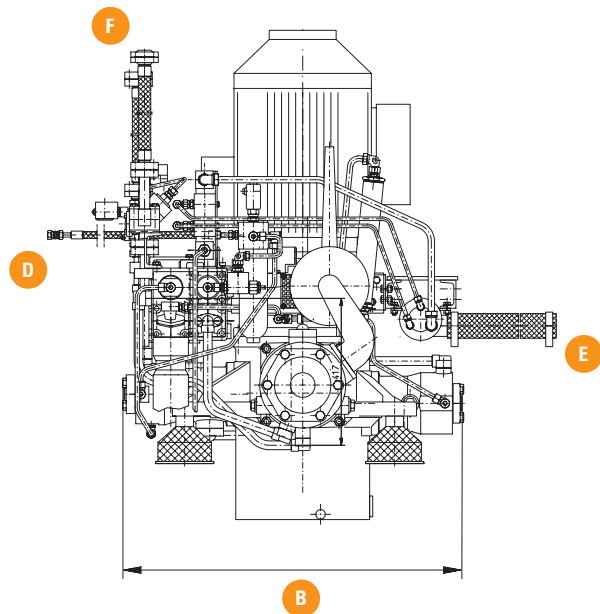
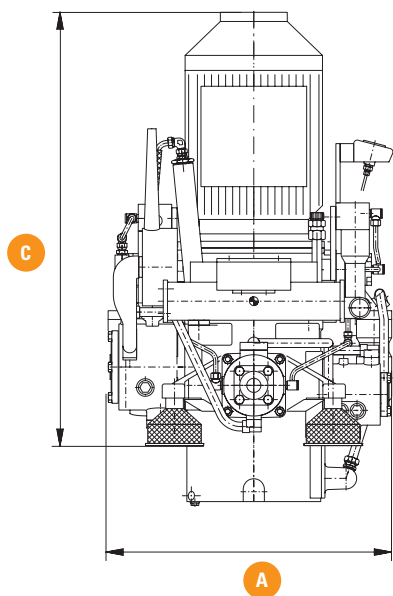
# 5000 series WP 5500 & 5000 Basic

4-stage, water-cooled, direct drive  
Medium: Air



- Vertical design – full balancing of free inertial forces, lowest vibration
- Replaceable cooler inserts in floating design
- Very low piston speed
- Dry liners – no sealing between oil-, water- and airspaces
- Max water inlet temperature of 40°C
- Complete compressor check at final pressure including 3.1 inspection certificate
- Long operating life with guaranteed availability (minimum 25 years) of replacement parts ex stock
- Trouble-free operation, even under the most extreme conditions (55°C ambient temperature)

- Sauer offers the very latest compressors, control systems, compressed-air treatment systems and accessories
- Optimum customer services – starting with the initial enquiry and extending over the entire life of the product
- Customized solutions produced in accordance with customers' specifications
- Customer-specific documentation and calculation
- Individual, customer-oriented service plans



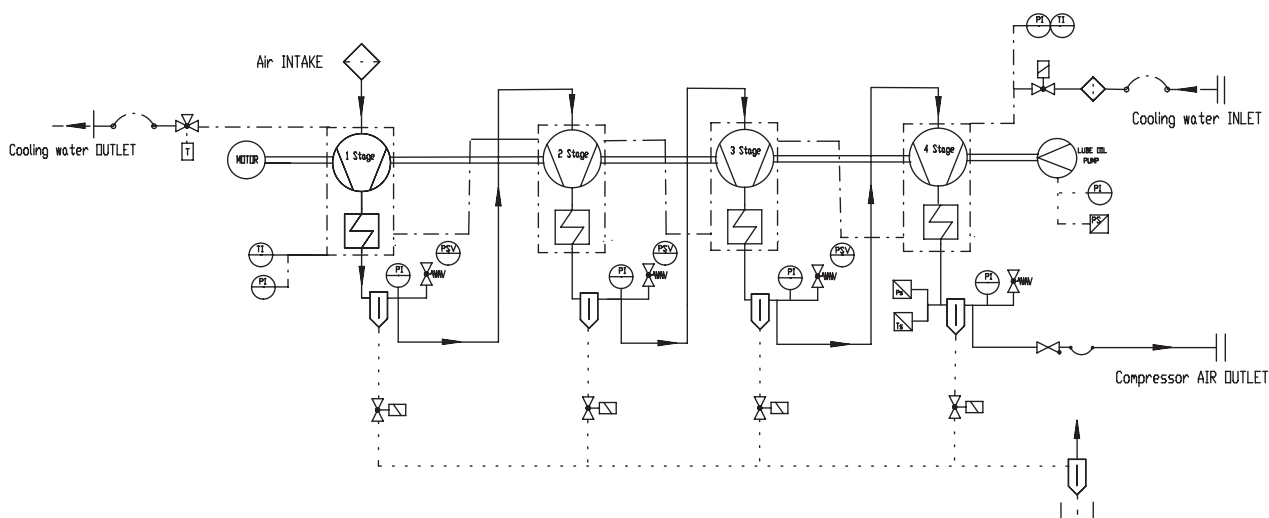
5000 series

	Dimensions (mm)			Outlet Connection	Drainage Connection	Water Inlet/Outlet Connection	Weight (kg)
	A	B	C	D	E	F	
WP 5500 Basic	1,055	820	1,230	12 x 2.5 bite-type	60 mm Ø	DN 25	980
WP 5000 Basic	1,130	1,345	1,650	20 x 2.5 bite-type	60 mm Ø	28 x 1.5 bite-type	1,900

PERFORMANCE DATA								
MODEL	Speed [rpm]	150 bar (g) [m³/h]	200 bar (g) [m³/h]	250 bar (g) [m³/h]	300 bar (g) [m³/h]	350 bar (g) [m³/h]	Rated Power [kW]	Sound Pressure dB(A)@1m
WP 5500 Basic	1,500	59.0	58.0	55.0	57.0	56.0	30.0	85
	1,800	71.0	70.0	70.0	69.0	67.0	35.0	87
WP 5000 Basic	1,500	125.0	125.0	125.0	119.0	115.0	55.0	86
	1,800	151.0	150.0	150.0	143.0	138.0	64.0	88

[m³/h] acc. to ISO 1217 ref 1,013 bar.a and 20 °C; [dB(A)] acc. to DIN 45635

STANDARD ACCESSORIES		
	WP 5500 Basic	WP 5000 Basic
Air pressure gauge @ each stage	✓	✓
Oil/water (condensate) separator @ each stage	✓	✓
Air temperature 'high' alarm/trip	✓	✓
Air temperature gauge @ each stage	✓	✓
Cooling water temperature gauge (outlet)	✓	✓
Cooling water shut-off solenoid valve (inlet)	✓	✓
Oil pressure 'low' alarm/trip	✓	✓
Safety valve @ each stage	✓	✓
Auto Start/Stop via pressure switch/sensor (loose)	✓	✓
Electric Motor IE 3 (IP55 protection + Class F 'B' temp. rise)	✓	✓
Power supply 380–415V/50 Hz/3ph or 440–480V/60 Hz/3ph	✓	✓
Terminal Connection Box, pre-wired ex works	✓	✓
Flex. HP-hose for air outlet (inc. non-return valve)	✓	✓
Flex. Hose(s) for oil/water (condensate) drainage	✓	✓
Flex. Hose(s) for cooling water (in&out)	✓	✓
Resilient AV mounts	✓	✓
Color Munsell 7.5 BG 7/2 – Sauer light green-blue	✓	✓
First Oil Fill	✓	✓



Dependable up to 500 bar – anywhere, anytime.

J.P. Sauer & Sohn Maschinenbau GmbH

PHONE + 49 431 3940-0  
FAX + 49 431 3940-24

E-MAIL info@sauercompressors.de  
WEB www.sauercompressors.com

