



Technical Data

//// Mistral WP 45 L & 65 L Basic

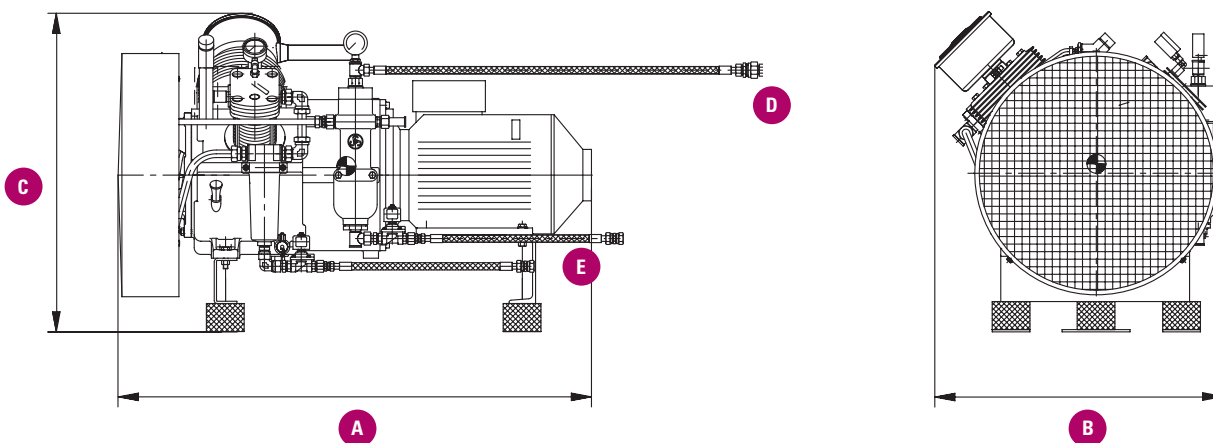
2-stage, air-cooled, direct drive

Medium: Air



- Simple robust design – fewer parts
- Crankshaft supported at either end on main-end bearings
- Axial air-blast cooling fan flywheel
- Complete compressor check at final pressure including 3.1 inspection certificate
- Long operating life with guaranteed availability (minimum 25 years) of replacement parts ex stock
- Trouble-free operation, even under the most extreme conditions (55°C ambient temperature)

- Sauer offers the very latest compressors, control systems, compressed-air treatment systems and accessories
- Optimum customer services – starting with the initial enquiry and extending over the entire life of the product
- Customized solutions produced in accordance with customers' specifications
- Customer-specific documentation and calculation
- Individual, customer-oriented service plans

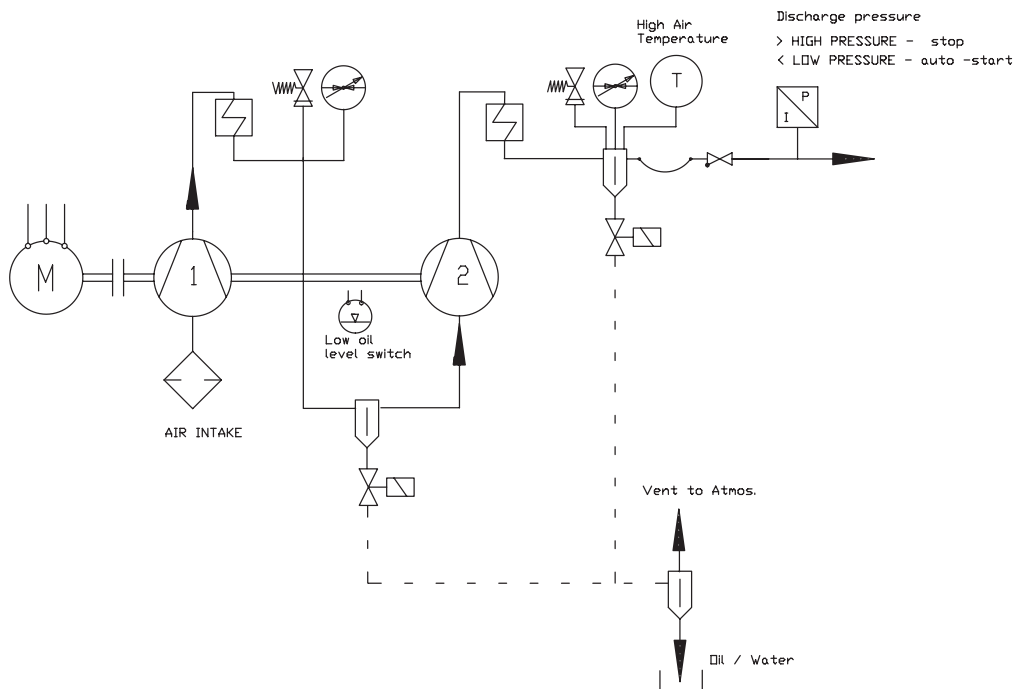


MISTRAL	Dimensions (mm)			Outlet Connection	Drainage Connection	Weight (kg)
	A	B	C			
WP 45 L Basic	1,214	742	820	15 x 1.5 bite-type	12 x 1.5 bite-type	318
WP 65 L Basic	1,254	742	820	15 x 1.5 bite-type	12 x 1.5 bite-type	328

PERFORMANCE DATA							
MODEL	Speed [rpm]	10 bar (g) [m³/h]	20 bar (g) [m³/h]	30 bar (g) [m³/h]	40 bar (g) [m³/h]	Rated Power [kW]	Sound Pressure dB(A)@1m
WP 45 L Basic	1,500	48.5	48.6	44.3	43.0	11.0	85
	1,800	60.7	58.3	56.4	52.0	12.8	87
WP 65 L Basic	1,500	66.3	63.0	59.7	57.0	15.0	85
	1,800	79.8	75.1	72.6	69.0	17.4	88

[m³/h] acc. to ISO 1217 ref 1,013 bar.a and 20°C; [dB(A)] acc. to DIN 45635

STANDARD ACCESSORIES		
	WP 45 L Basic	WP 65 L Basic
Air pressure gauge @ each stage	✓	✓
Oil/water (condensate) separator @ each stage	✓	✓
Safety valve @ each stage	✓	✓
Auto-Unload/drain system	✓	✓
Auto Start/Stop via pressure switch/sensor (loose)	✓	✓
Electric Motor IE 3 (IP55 protection + Class F 'B' temp. Rise)	✓	✓
Power supply 380–415V/50 Hz/3ph or 440–480V/60 Hz/3ph	✓	✓
Terminal Connection Box, pre-wired ex works	✓	✓
Flex. HP-hose for air outlet (inc. non-return valve)	✓	✓
Flex. Hose(s) for oil/water (condensate) drainage	✓	✓
Resilient AV mounts (installation)	✓	✓
Color Munsell 7.5 BG 7/2 – Sauer light green-blue	✓	✓
First Oil Fill	✓	✓



Dependable up to 500 bar – anywhere, anytime.

J.P. Sauer & Sohn Maschinenbau GmbH

PHONE + 49 431 3940-0

E-MAIL info@sauercompressors.de

FAX + 49 431 3940-24

WEB www.sauercompressors.com

01/2016 [suw] • Specifications subject to change without notice.

