



Technical Data

//// Tornado WP 4325 Basic

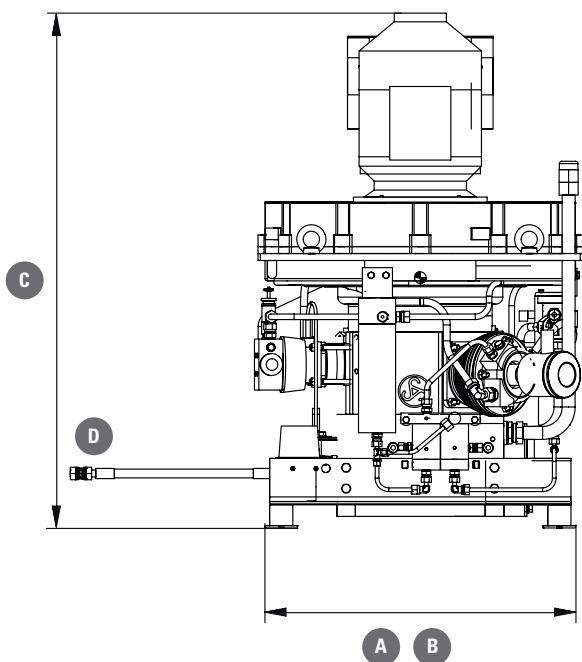
4-stage, air-cooled, direct drive

Medium: Air



- Total compression divided into 3 separate stages – improved cylinder cooling, lower oil usage
- High efficiency cooling fan system – $\Delta T < 10K$
- Vertical design – footprint less than 0.5 m²
- Reduced maintenance – 2,500 hours service intervals
- Complete compressor check at final pressure including 3.1 inspection certificate
- Long operating life with guaranteed availability (minimum 25 years) of replacement parts ex stock
- Trouble-free operation, even under the most extreme conditions (55°C ambient temperature)

- Sauer offers the very latest compressors, control systems, compressed-air treatment systems and accessories
- Optimum customer services – starting with the initial enquiry and extending over the entire life of the product
- Customized solutions produced in accordance with customers' specifications
- Customer-specific documentation and calculation
- Individual, customer-oriented service plans



TORNADO

	Dimensions (mm)			Outlet Connection	Drainage Connection	Weight (kg)
	A	B	C	D	E	
WP 4325 Basic	700	700	1,200	10 x 2.0 bite-type	15 x 1.5 bite-type 8 x 1.5 bite-type	370

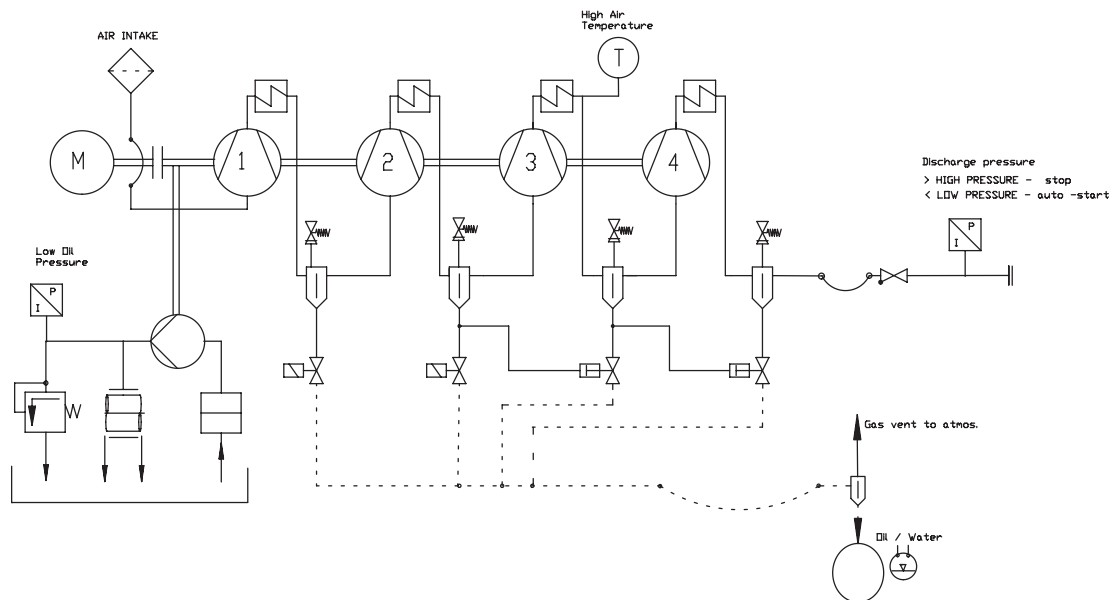
PERFORMANCE DATA

MODEL	Speed [rpm]	150 bar (g) [m³/h]	200 bar (g) [m³/h]	250 bar (g) [m³/h]	300 bar (g) [m³/h]	350 bar (g) [m³/h]	400 bar (g) [m³/h]	Rated Power [kW]	Sound Pressure dB(A)@1m
WP 4325 Basic	1,500	22.3	22.0	20.9	20.4	20.0	19.2	11	81
	1,800	25.9	25.6	25.0	24.5	24.0	23.0	13	83

[m³/h] acc. to ISO 1217 ref 1,013 bar.a and 20 °C; [dB(A)] acc. to DIN 45635

STANDARD ACCESSORIES

	WP 4325 Basic
Gauge Panel – Air pressure @ each stage and oil pressure	✓
Oil/water (condensate) separator @ each stage	✓
Oil pressure 'low' alarm/trip	✓
Air temperature 'high' alarm/trip	✓
Safety valve @ each stage	✓
Auto-Unload/drain system	✓
Auto-Start/Stop via pressure switch/sensor (loose)	✓
Electric Motor IE 3 (IP55 protection + Class F 'B' temp. Rise)	✓
Power supply 380–415V/ 50 Hz/3ph or 440–480V/60 Hz/3ph	✓
Terminal Connection Box, pre-wired ex works	✓
Flex. HP-hose for air outlet (inc. non-return valve)	✓
Flex. Hose(s) for oil/water (condensate) drainage	✓
Resilient AV mounts (installation)	✓
Color Munsell 7.5 BG 7/2 – Sauer light green-blue	✓
First Oil fill	✓



Dependable up to 500 bar – anywhere, anytime.

J.P. Sauer & Sohn Maschinenbau GmbH

PHONE + 49 431 3940-0
FAX + 49 431 3940-24

E-MAIL info@sauercompressors.de
WEB www.sauercompressors.com

